

	1
	1
	
1-1	
1-1	
1-	
1-	
1-	
1-	11
1-	1
1-	1
1-	1
1-	1
1-10	1
1-11	
1-1	
1-1	
1-1	
1-1	
1-1	0
1-1	
1-1	
	
	
-1	
-1	
-	0
-	1
-	
-	
-	
-	
-	1
-10	
-11	
-1	
-1	
-1	1
-1	
-1	
-1	
-1	
	0

[2014] 55

- 1.
- 2.
- 3.
- 4.

--

--

		1-1	1	1-1	1-1
		-1	1	-1	-1
		-1	1	-1	-1

1

I/O

C

/

Kei I C

2

1

/ /

Kei I C

MCU

/ /

2

6S ()

/

3

120

4

20		10	0	
				1
				2
		10		3
				4
			5	

10

5

30

1



2

PCB

E

3

1

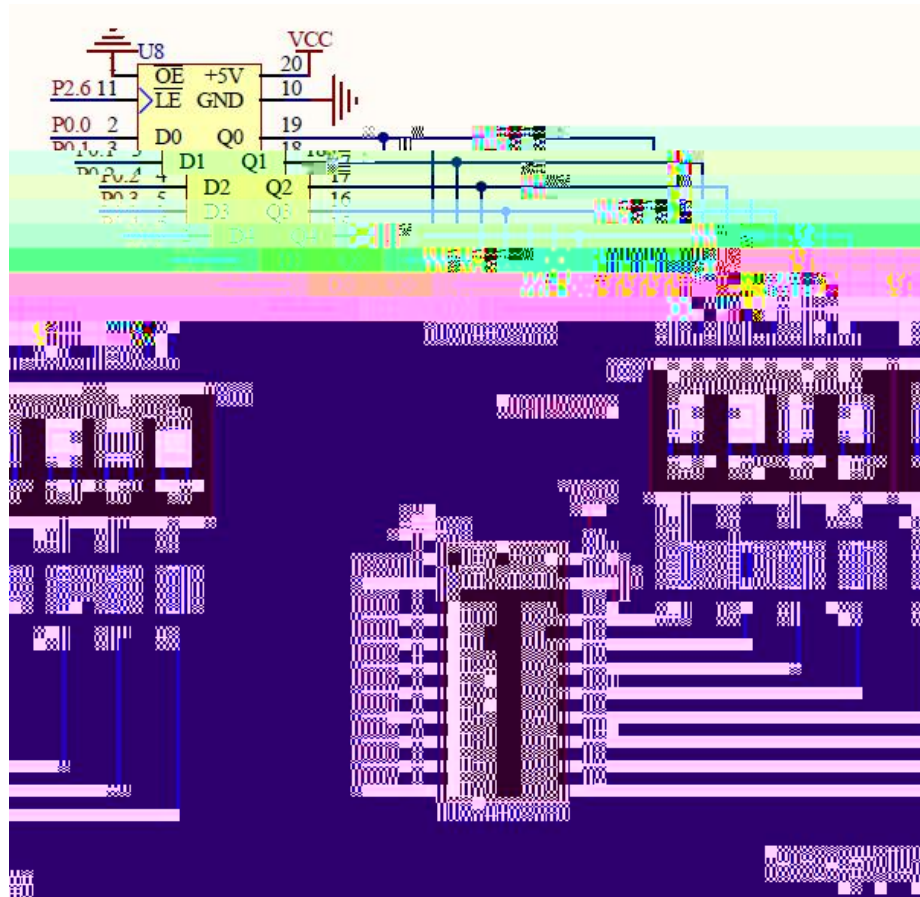


2

PCB
E

3

1

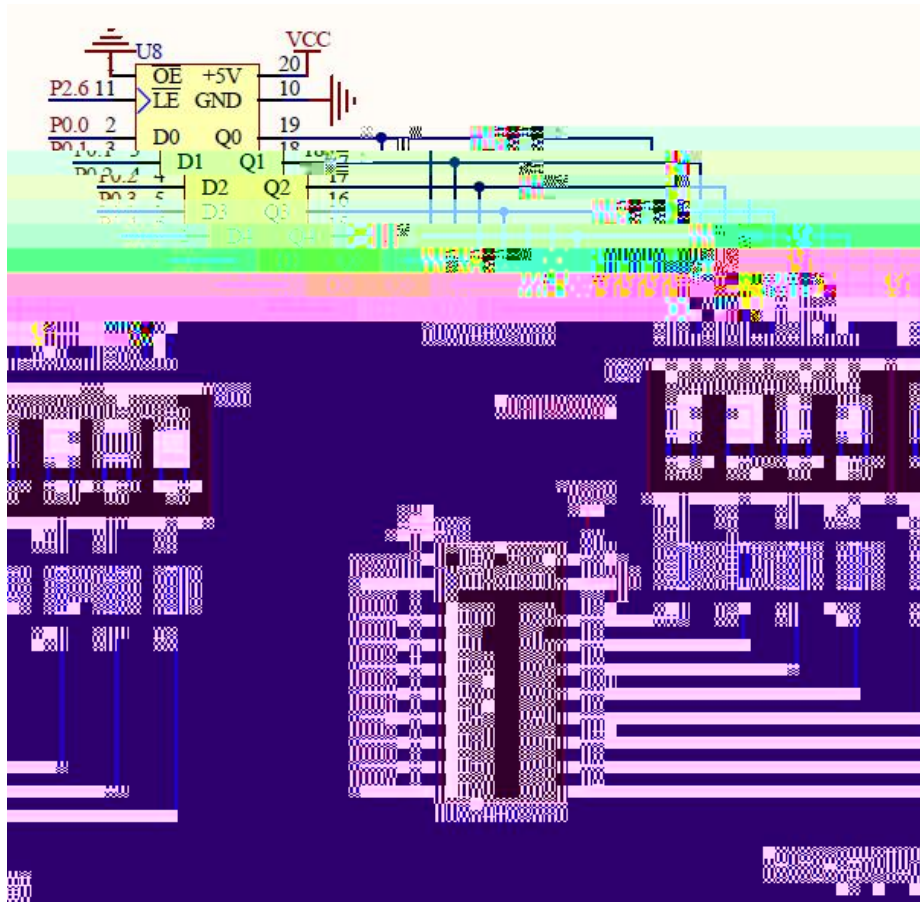


2

PCB
E

3

1



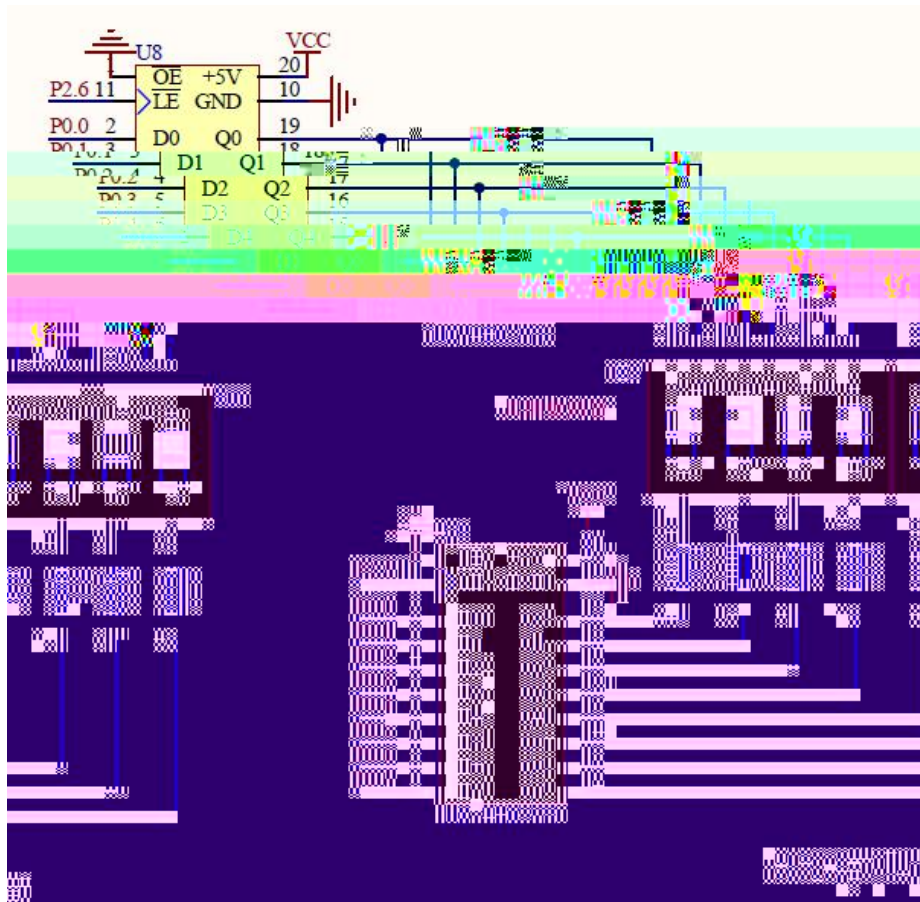
2

PCB

E

3

1



2

PCB

E

3

1

K1 8



2

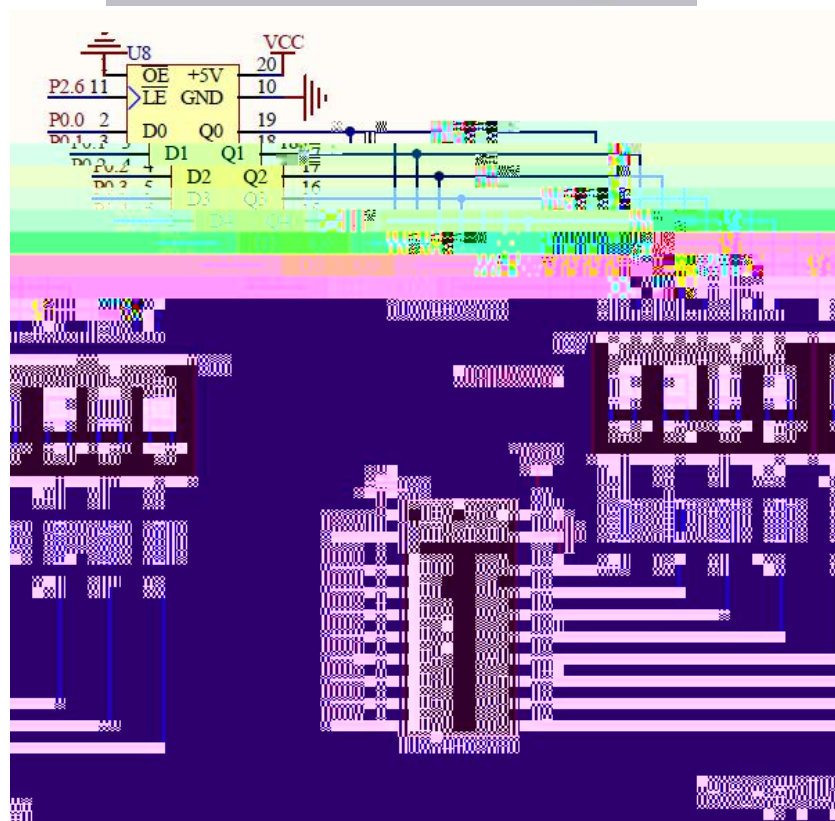
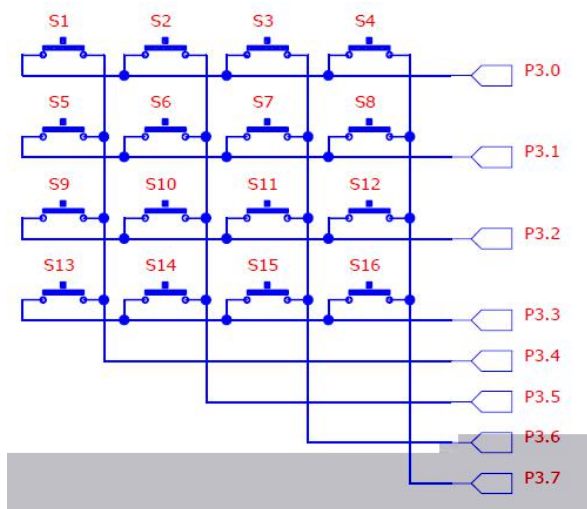
PCB
E

3

1

S1-S16

O-F



2

PCB

E

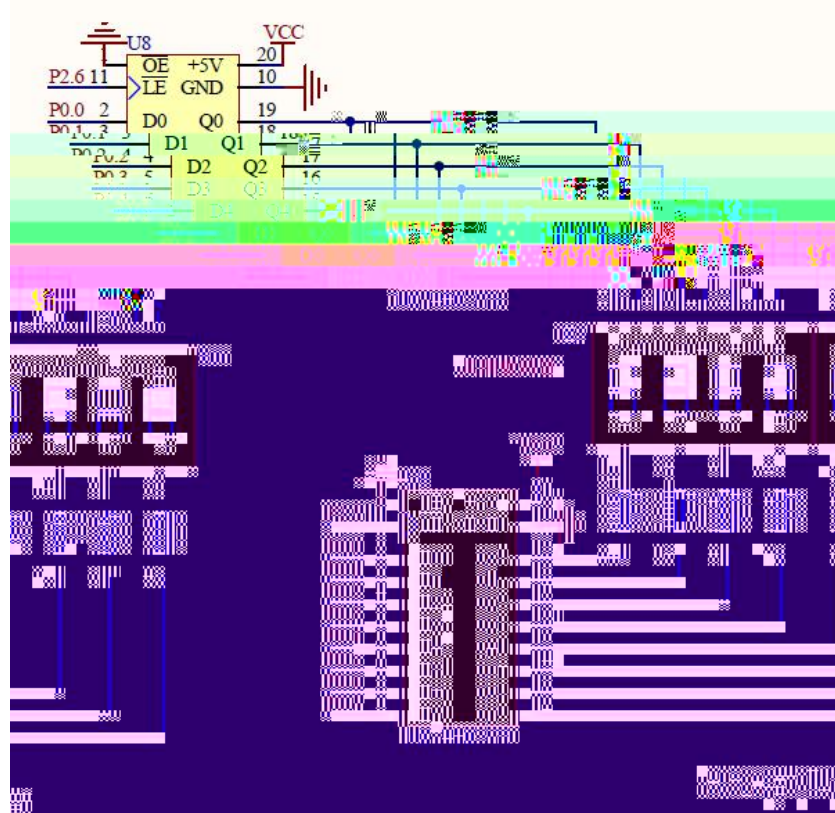
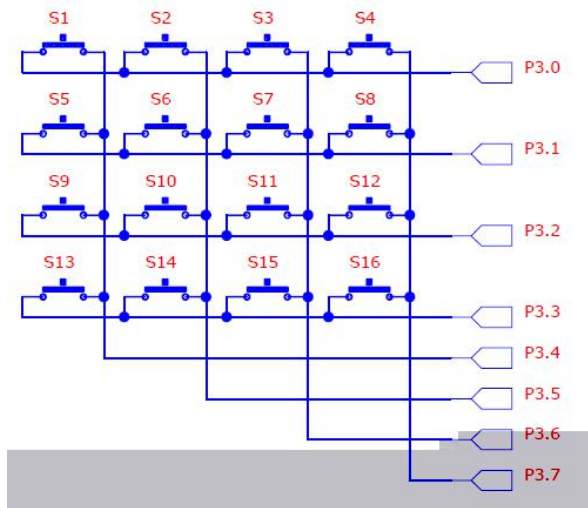
3

1

P3.2

1

9 0



2

PCB

E

3

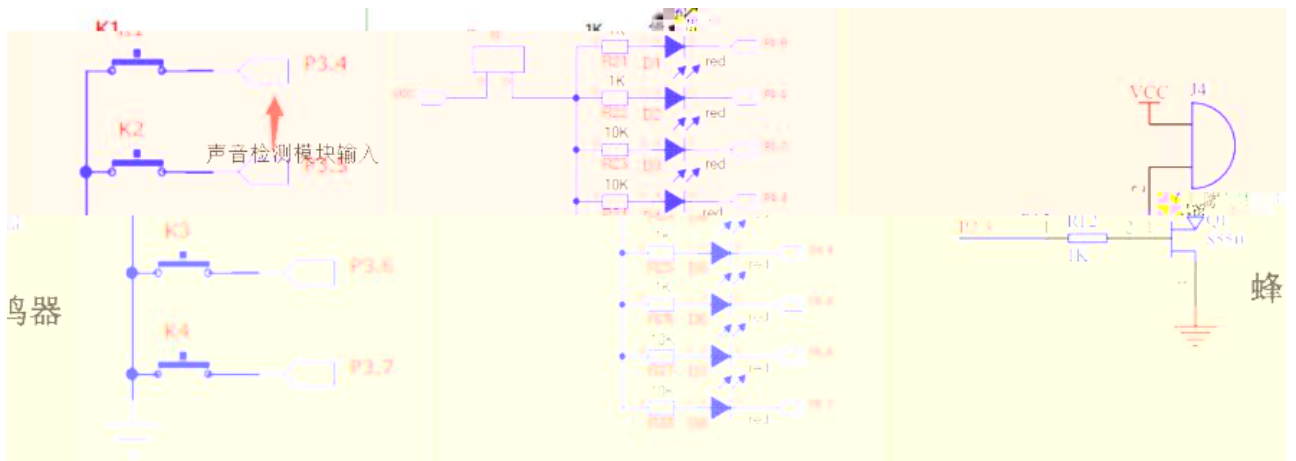
1

1

P3.4

P3.4

D1



1

2

PCB
E

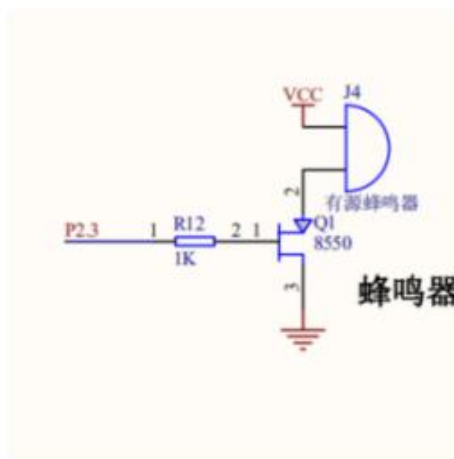
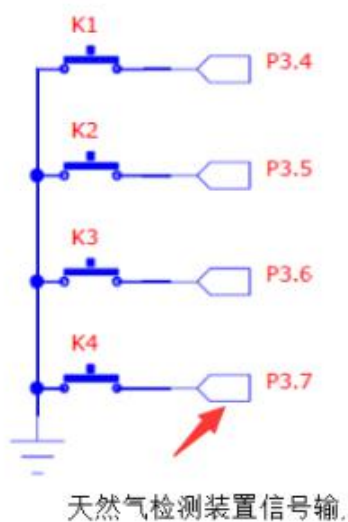
3

1

P3.7

1

P3.7



1

2

PCB
E

3

1

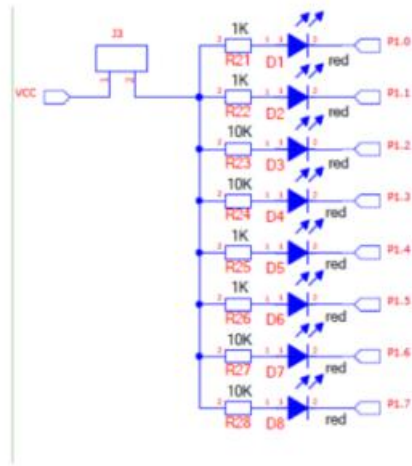
1

K1

D1

K2

D2



1

2

PCB

E

3

1

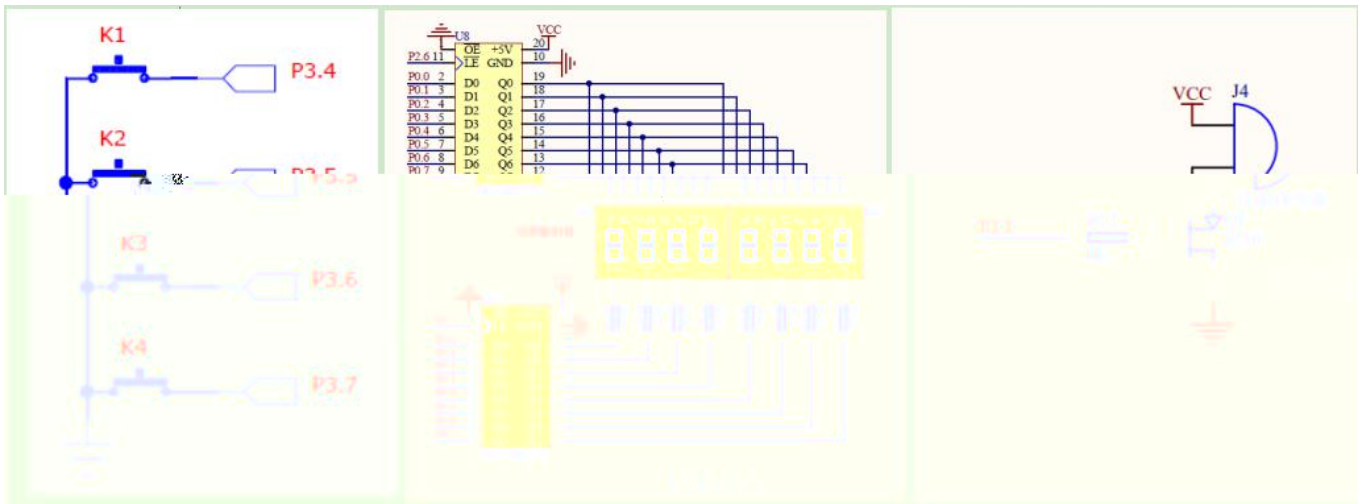
1

K1

K2 K3 K4

K1

" 1"



2

PCB

E

3

1

2



2

PCB

E

3

1

1

P3.6

P3.6



1

2

PCB

E

3

0

1

0.5S 0.5S



2

PCB
E

3

1

K1

D1-D4

K2

D5-D8



2

PCB

E

3

1

/ /

1

/ /

/ /

()

/

1 0

20		10			0
			1		
		10	2		
			3		

			4	
			5	
30		10		
		5		
		5		
		10		
50		5		
		5	1 2	PCB
		10		
		15	1 2 3	
		15		

5

18

1



2

3

1



2

3

1



2

3

1



2

3

1



2



3

1

1	VBAT	VDD	64
2	PC13/ANT1	VSS	63
3	PC14/OSC32	PB9/TIM4_CH4/SDIO_D5	62
4	PC15/OSC32	PB8/TIM4_CH3/SDIO_D4	61
5	PD0/OSCIN	PA7/I2C1_SCL/TIM4_CH2	59
6	PD1/OSCOUT	PA6/I2C1_SDA/TIM4_CH1	58
7	NRES	PB5/I2C1_SMBA/SPI3_MOSI/I2S3_SD	57
8	PC0/ADC10	PB4/JNTRST/SPI3_MISO	56
9	PC1/ADC11	PB3/JTDO/SPI3_SCK/I2S3_CK	55
10	PC2/ADC12	PC2/U5_RX/TIM3_ETR/SDIO_CMD	54
11	PC3/ADC13	PC12/U5_TX/SDIO_CK	53
12	VSSA	PC11/U4_RX/SDIO_D3	52
13	VDDA	PC10/U4_TX/SDIO_D2	51
14	PA0/WKUP/ADC0/TIM2_CH1_ETR/TIM5_CH1/TIM8_ETR	PA15/JTDI/SPI3_NSS/I2S3_WS	50
15	PA1/ADC11/TIM2_CH3/TIM5_CH2	PA14/JTCK/SWCLK	49
16	PA2/U2_TX/ADC2/TIM2_CH5/TIM5_CH3	VDD	47
17	PA3/U2_RX/ADC3/TIM2_CH4/TIM5_CH4		
18			
19			
20			
21			
22			
23			
24			
25			
26			
27			
28			
29			
30			
31			
32			
33			
34			
35			
36			
37			
38			
39			
40			
41			
42			
43			
44			
45			
46			
47			
48			
49			
50			
51			
52			
53			
54			
55			
56			
57			
58			
59			
60			
61			
62			
63			
64			

2

3

1



2

3

1

1	VBAT	VDD	64
2	PC13/ANT1	VSS	63
3	PC14/OSC32	PB9/TIM4_CH4/SDIO_D5	62
4	PC15/OSC32	PB8/TIM4_CH3/SDIO_D4	61
5	PD0/OSCIN	DD1/OSCOUT	60
6	PD1/OSCOUT	DD7/OSCIN	59
7	NFS	DD6/OSCIN	58
8	PC0 ADC10	PB6 I2C1_SCL TIM4_CH1	57
9	PC1 ADC11	PB5 I2C1_SMBA SPI3_MOSI I2S3_SD	56
10	PC2 ADC12	PB4 JNTRST SPI3_MISO	55
11	PC3 ADC13	PB3 JTDO SPI3_SCK I2S3_CK	54
12	VSSA	PC2 U5_RX TIM3_ETR SDIO_CMD	53
13	VDDA	PC12 U5_TX SDIO_CK	52
14	PA0 WKUP ADC0-TIM2_CH1 ETR-TIM5_CH1-TIM8_ETR	PC11 U4_RX SDIO_D3	51
15	PA1 ADC11-M2-CH2-TM5-CH2	PC10 U4_TX SDIO_D2	50
16	PA2 U2_TX-ADC2-TIM2_CH3-TIM5_CH3	PA15 JTDI SPI3_NSS I2S3_WS	49
17	PA3 U2_RX-ADC3-TIM2_CH4-TIM5_CH4	PA14 JTCK SWCLK	48
18		VDD	47
19			46
20			45
21			44
22			43
23			42
24			41
25			40
26			39
27			38
28			37
29			36
30			35
31			34
32			33
33			32
34			31
35			30
36			29
37			28
38			27
39			26
40			25
41			24
42			23
43			22
44			21
45			20
46			19
47			18
48			17
49			16
50			15
51			14
52			13
53			12
54			11
55			10
56			9
57			8
58			7
59			6
60			5
61			4
62			3
63			2
64			1

2

3



3

-

3

-

1

2

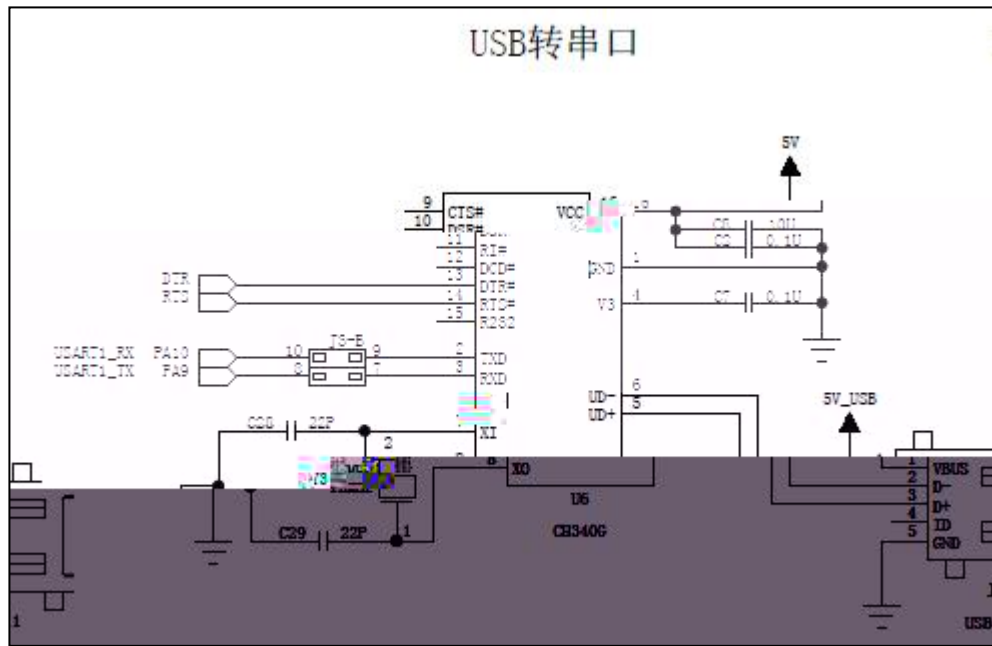


2

3

-

1

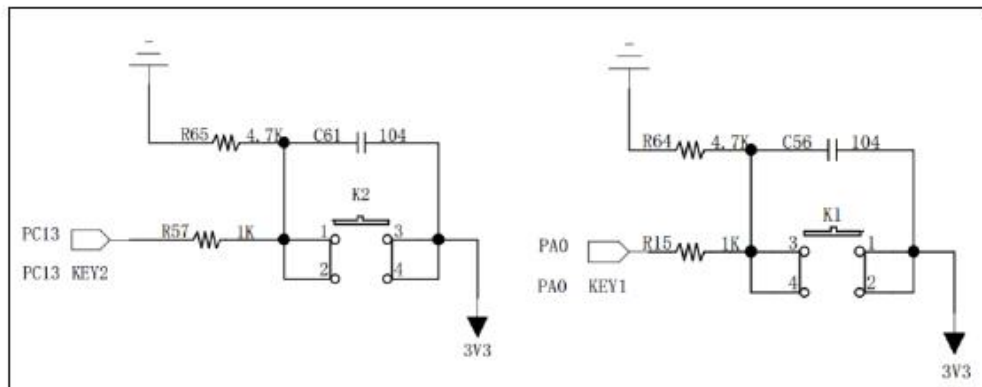
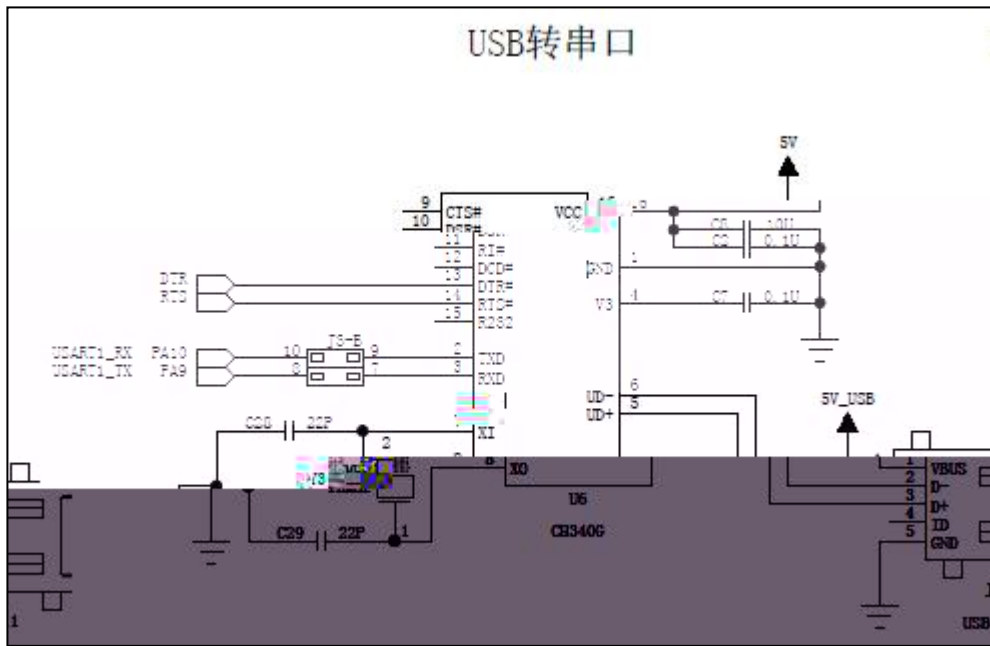


2

3

-

1



2

3

-



2

3

-

1



2

3

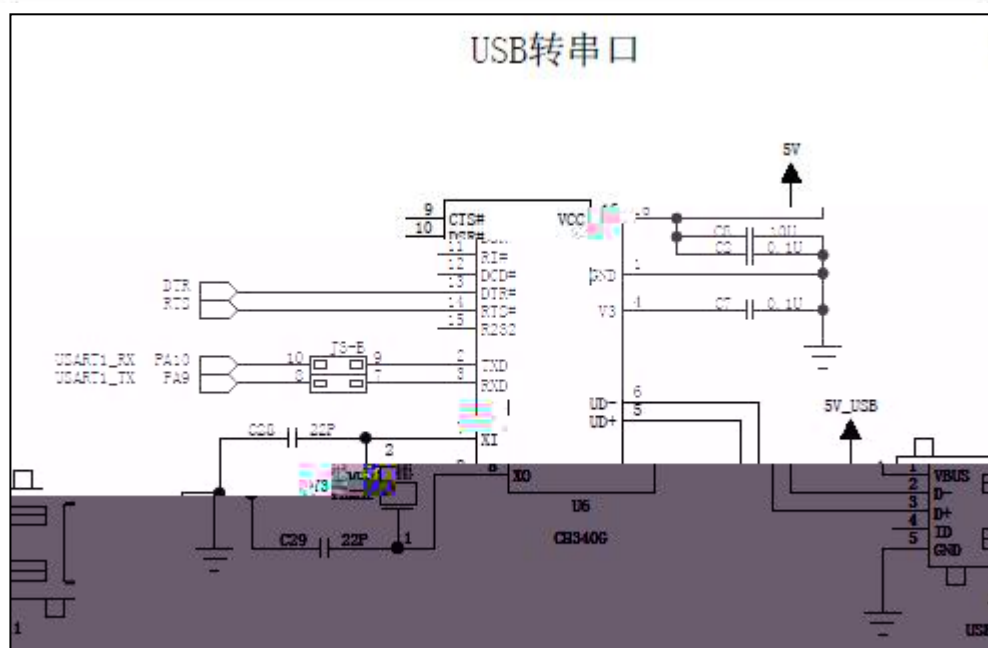
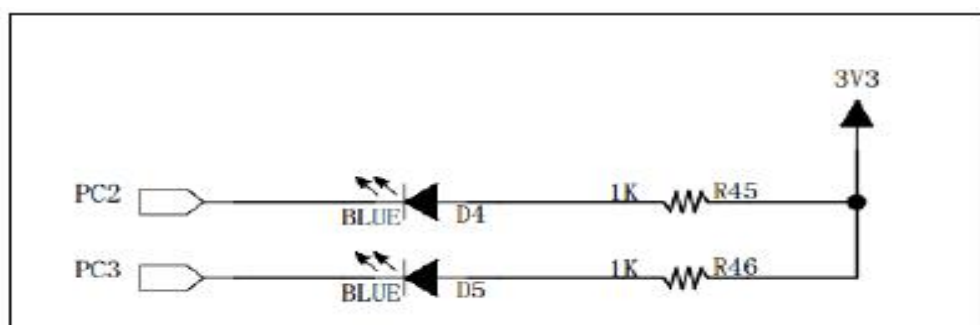


2

3

-

1



2

3

-

1

1

/ /

.0

/ /

()

/

1 0

20		10			0	
			6			
			7			
		10	8			
			9			

			10	
30				
		10		
		10		
50				
		10		

5

18

1

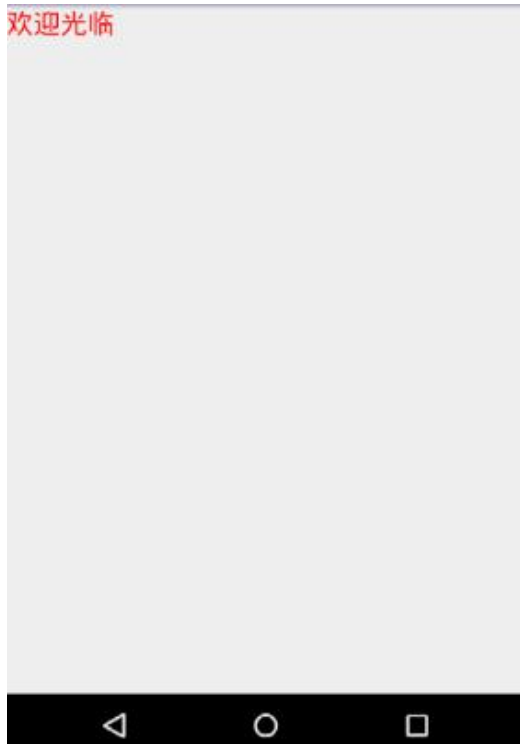
2

20sp

RGB

#FF0000

欢迎光临



3

:

2
1



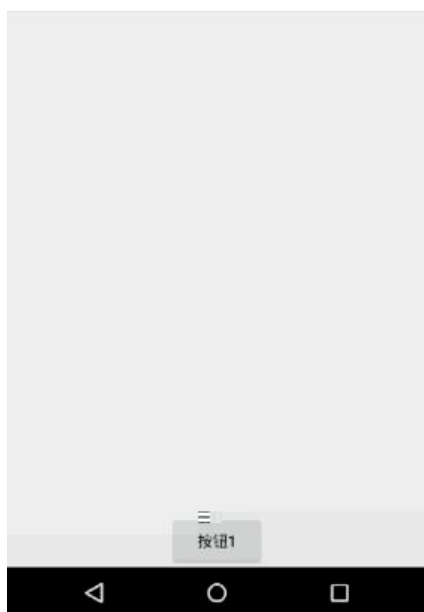
3 :

1

2

1

2



3

:

TextView

2

1



3

1

2



3

2

1

2



3

1

1 1 1 1

2

1

2

1 1 1 1



3

1

2

1



3

1

2

1

2



3

1

2

1

2

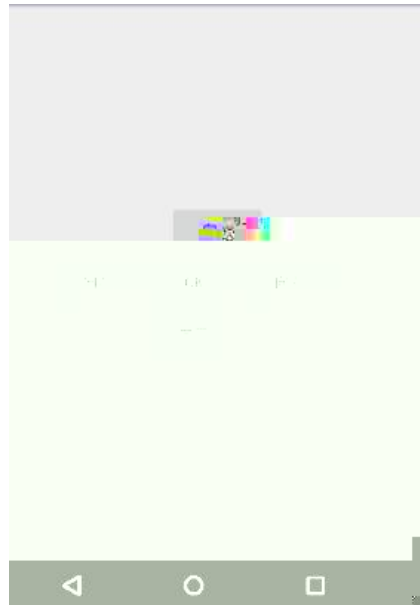


3

1

2

1



3

1

LED

2

1

2

3

TextView LED



3

1

LED

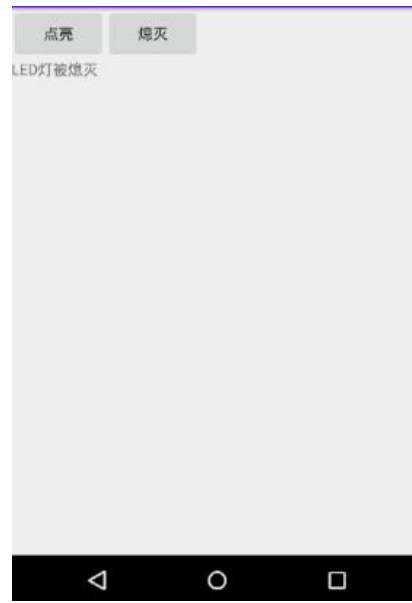
2

1

2

3

TextView LED



3

1

LED

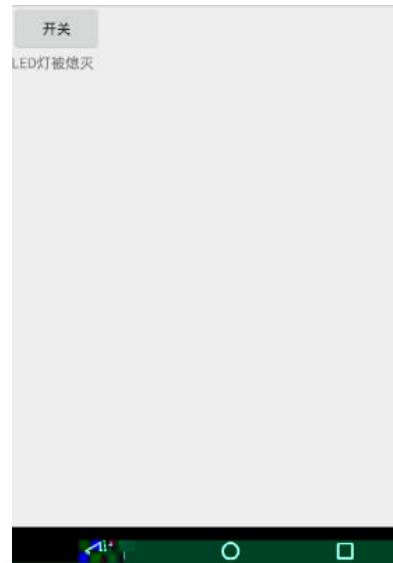
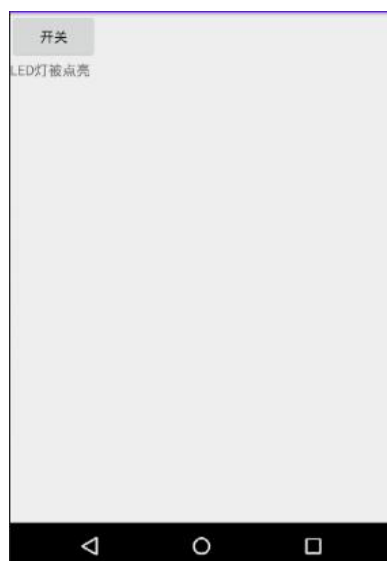
2

1

2

3

TextView LED



3

1

LED

2

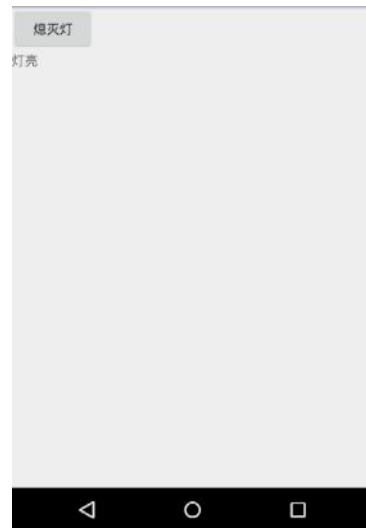
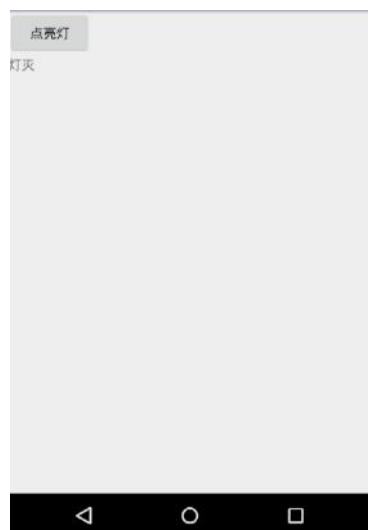
1

2

3

4

TextVi ew



3

1

LED

2

1

2

3

4

ImageView

30dp*30dp



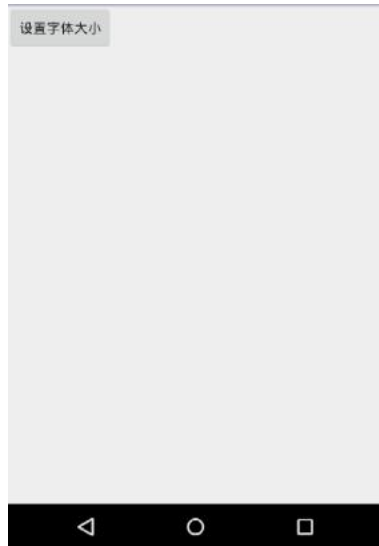
3

1

2

1

2



3

1

2

1

2



3